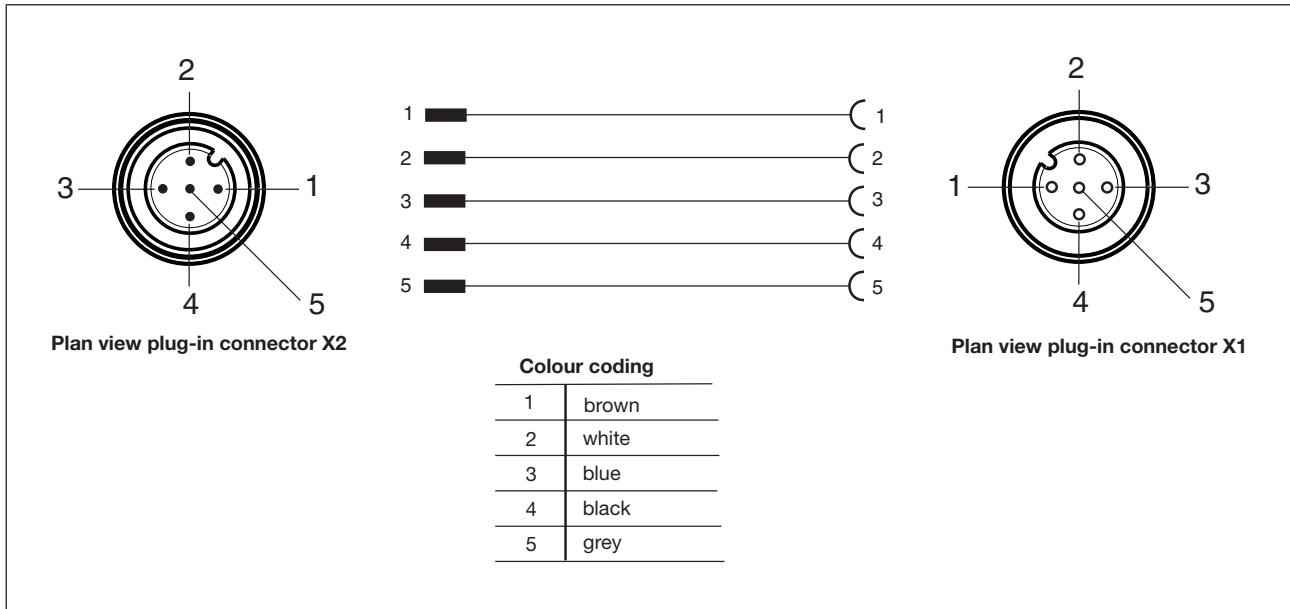


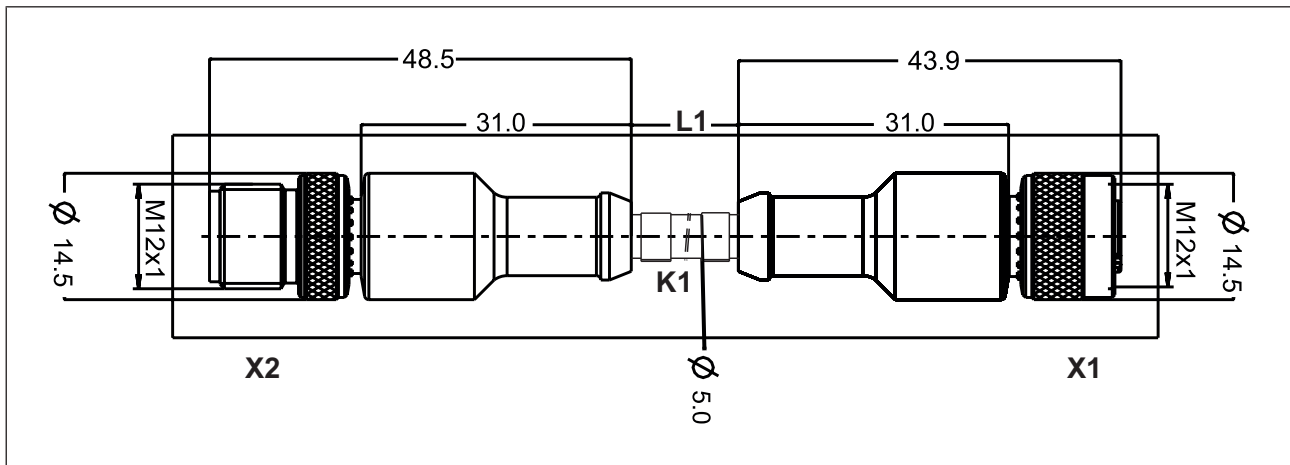
## PSS67/PDP67 Cable M12-M12 5p

### Connector pin assignment



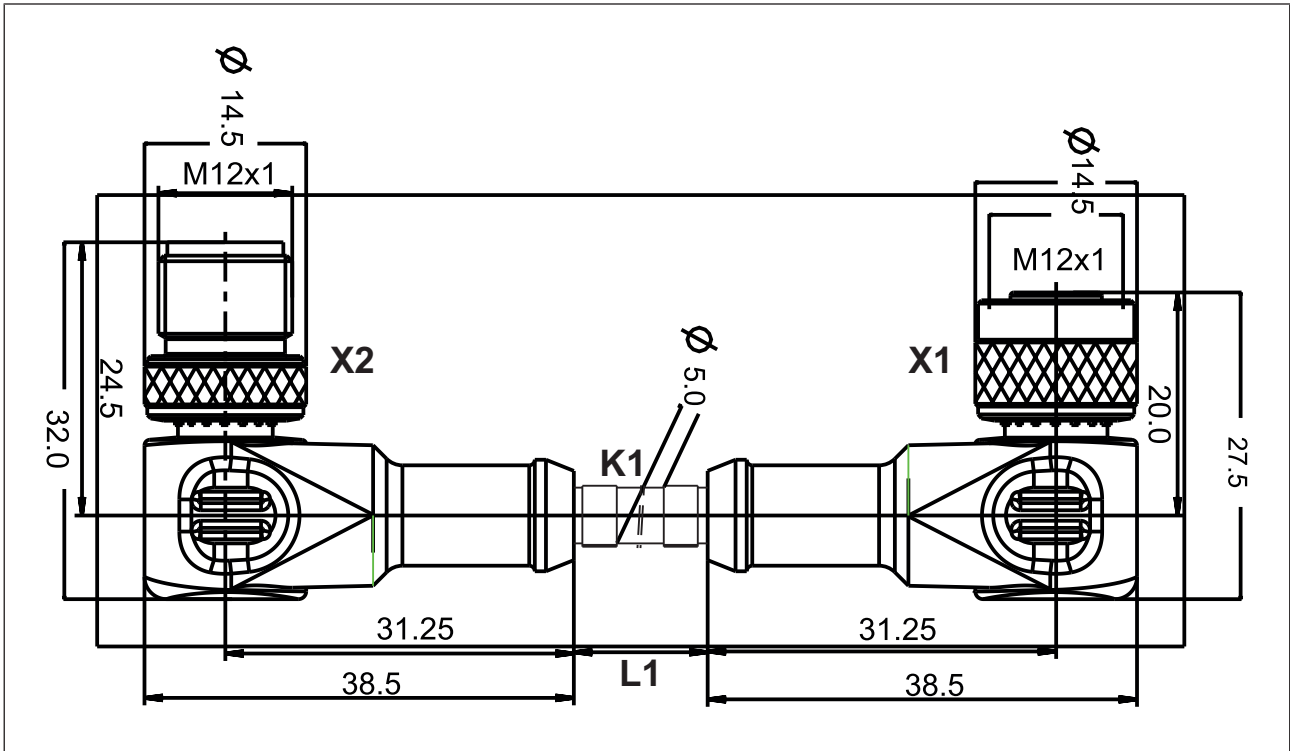
### Dimensions

► M12 male connector, straight – M12 female connector, straight:



PSS67/PDP67 Cable M12-M12 5p

► M12 male connector, angled – M12 female connector, angled:



Technical details Order no. 380208 - 380210

General	380208	380209	380210
Approvals	cULus Listed	cULus Listed	cULus Listed
<b>Electrical data</b>	<b>380208</b>	<b>380209</b>	<b>380210</b>
Rated voltage			
Voltage UB	60 V	60 V	60 V
Rated current	4 A	4 A	4 A
Test voltage	3.000 V	3.000 V	3.000 V
Typ. conductor resistance			
K1	79 Ohm/km	79 Ohm/km	79 Ohm/km
Insulation resistance	100 MOhm	100 MOhm	100 MOhm
Volume resistance	3 mOhm	3 mOhm	3 mOhm
Specific volume resistance			
K1	$\geq 7E+15$ Ohm*cm	$\geq 7E+15$ Ohm*cm	$\geq 7E+15$ Ohm*cm
Specific cable capacitance			
K1	64,6pF/m	64,6pF/m	64,6pF/m
<b>Environmental data</b>	<b>380208</b>	<b>380209</b>	<b>380210</b>
Ambient temperature			
Temperature range	-25 - 80 °C	-25 - 80 °C	-25 - 80 °C

## PSS67/PDP67 Cable M12-M12 5p

<b>Environmental data</b>	<b>380208</b>	<b>380209</b>	<b>380210</b>
Airgap creepage			
Pollution degree	<b>3</b>	<b>3</b>	<b>3</b>
Protection type			
X1 when inserted	<b>IP68</b>	<b>IP68</b>	<b>IP68</b>
X2 when inserted	<b>IP68</b>	<b>IP68</b>	<b>IP68</b>
Housing	<b>IP68</b>	<b>IP68</b>	<b>IP68</b>
<b>Mechanical data</b>	<b>380208</b>	<b>380209</b>	<b>380210</b>
Plug-in connector X1	<b>M12, 5-pin female connector</b>	<b>M12, 5-pin female connector</b>	<b>M12, 5-pin female connector</b>
In accordance with the standard	<b>EN 61076-2-101</b>	<b>EN 61076-2-101</b>	<b>EN 61076-2-101</b>
Form, plug-in connector X1	<b>Straight</b>	<b>Straight</b>	<b>Straight</b>
Plug-in connector X2	<b>M12, 5-pin male connector</b>	<b>M12, 5-pin male connector</b>	<b>M12, 5-pin male connector</b>
In accordance with the standard	<b>EN 61076-2-101</b>	<b>EN 61076-2-101</b>	<b>EN 61076-2-101</b>
Form, plug-in connector X2	<b>Straight</b>	<b>Straight</b>	<b>Straight</b>
Material of ring nut X1	<b>CuZn nickel-plated</b>	<b>CuZn nickel-plated</b>	<b>CuZn nickel-plated</b>
Material of ring nut X2	<b>CuZn nickel-plated</b>	<b>CuZn nickel-plated</b>	<b>CuZn nickel-plated</b>
Housing material X1	<b>PUR</b>	<b>PUR</b>	<b>PUR</b>
Housing material X2	<b>PUR</b>	<b>PUR</b>	<b>PUR</b>
Material of contact surface X1	<b>Au</b>	<b>Au</b>	<b>Au</b>
Material of contact surface X2	<b>Au</b>	<b>Au</b>	<b>Au</b>
Material of pin	<b>CuZn</b>	<b>CuZn</b>	<b>CuZn</b>
Material of socket	<b>CuSn</b>	<b>CuSn</b>	<b>CuSn</b>
Conductor material K1	<b>Cu</b>	<b>Cu</b>	<b>Cu</b>
Insulating cover for conductor K1	<b>PP (9Y)</b>	<b>PP (9Y)</b>	<b>PP (9Y)</b>
Mating cycles X1	<b>100</b>	<b>100</b>	<b>100</b>
Mating cycles X2	<b>100</b>	<b>100</b>	<b>100</b>
Cable type K1	<b>LiF9Y11Y</b>	<b>LiF9Y11Y</b>	<b>LiF9Y11Y</b>
Cable length L1	<b>3 m</b>	<b>5 m</b>	<b>10 m</b>
Colour of external cable insulation K1	<b>Yellow, similar to RAL1003</b>	<b>Yellow, similar to RAL1003</b>	<b>Yellow, similar to RAL1003</b>
Colour of housing	<b>black</b>	<b>black</b>	<b>black</b>
Cable insulation material K1	<b>PUR, TPU / TPE-U</b>	<b>PUR, TPU / TPE-U</b>	<b>PUR, TPU / TPE-U</b>
Drag chain suitable K1	<b>No</b>	<b>No</b>	<b>No</b>

## PSS67/PDP67 Cable M12-M12 5p

Mechanical data	380208	380209	380210
Min. bending radius (fixed permanently) K1	5 x Ø	5 x Ø	5 x Ø
Min. bending radius (moving) K1	10 x Ø	10 x Ø	10 x Ø
Cable diameter K1	5 mm	5 mm	5 mm
Max. cable diameter K1	5,1 mm	5,1 mm	5,1 mm
Conductor cross section K1	0,25 mm <sup>2</sup>	0,25 mm <sup>2</sup>	0,25 mm <sup>2</sup>
Conductor cross section AWG K1	24	24	24
Wire colour K1	Brown, white, blue, black, grey	Brown, white, blue, black, grey	Brown, white, blue, black, grey
Stranding K1	5 cores around filler	5 cores around filler	5 cores around filler
Shielding K1	No	No	No
Wire layer separation K1	No	No	No
No. of wires K1	5	5	5
Approval cable K1	UL AWM-Style 20233, UL/CSA	UL AWM-Style 20233, UL/CSA	UL AWM-Style 20233, UL/CSA
Approval of plug-in connector X1	UL 94 HB	UL 94 HB	UL 94 HB
Approval of plug-in connector X2	UL 94 HB	UL 94 HB	UL 94 HB
Halogen-free	yes	yes	yes
Silicone-free	yes	yes	yes
Oil resistance	Resistant	Resistant	Resistant
Non-flammability	UL VW1	UL VW1	UL VW1
Material			
Housing	PUR	PUR	PUR
Weight	101 g	186 g	348 g

### Technical details Order no. 380211 - 380213

General	380211	380212	380213
Approvals	cULus Listed	cULus Listed	cULus Listed
Electrical data	380211	380212	380213
Rated voltage			
Voltage UB	60 V	60 V	60 V
Rated current	4 A	4 A	4 A
Test voltage	3.000 V	3.000 V	3.000 V
Typ. conductor resistance K1	79 Ohm/km	79 Ohm/km	79 Ohm/km
Insulation resistance	100 MOhm	100 MOhm	100 MOhm

## PSS67/PDP67 Cable M12-M12 5p

<b>Electrical data</b>	<b>380211</b>	<b>380212</b>	<b>380213</b>
Volume resistance	3 mOhm	3 mOhm	3 mOhm
Specific volume resistance K1	$\geq 7E+15 \text{ Ohm*cm}$	$\geq 7E+15 \text{ Ohm*cm}$	$\geq 7E+15 \text{ Ohm*cm}$
Specific cable capacitance K1	64,6pF/m	64,6pF/m	64,6pF/m
<b>Environmental data</b>	<b>380211</b>	<b>380212</b>	<b>380213</b>
Ambient temperature			
Temperature range	-25 - 80 °C	-25 - 80 °C	-25 - 80 °C
Airgap creepage			
Pollution degree	3	3	3
Protection type			
X1 when inserted	IP68	IP68	IP68
X2 when inserted	IP68	IP68	IP68
Housing	IP68	IP68	IP68
<b>Mechanical data</b>	<b>380211</b>	<b>380212</b>	<b>380213</b>
Plug-in connector X1	M12, 5-pin female connector	M12, 5-pin female connector	M12, 5-pin female connector
In accordance with the standard	EN 61076-2-101	EN 61076-2-101	EN 61076-2-101
Form, plug-in connector X1	Straight	Angled	Angled
Plug-in connector X2	M12, 5-pin male connector	M12, 5-pin male connector	M12, 5-pin male connector
In accordance with the standard	EN 61076-2-101	EN 61076-2-101	EN 61076-2-101
Form, plug-in connector X2	Straight	Angled	Angled
Material of ring nut X1	CuZn nickel-plated	CuZn nickel-plated	CuZn nickel-plated
Material of ring nut X2	CuZn nickel-plated	CuZn nickel-plated	CuZn nickel-plated
Housing material X1	PUR	PUR	PUR
Housing material X2	PUR	PUR	PUR
Material of contact surface X1	Au	Au	Au
Material of contact surface X2	Au	Au	Au
Material of pin	CuZn	CuZn	CuZn
Material of socket	CuSn	CuSn	CuSn
Conductor material K1	Cu	Cu	Cu
Insulating cover for conductor K1	PP (9Y)	PP (9Y)	PP (9Y)
Mating cycles X1	100	100	100
Mating cycles X2	100	100	100
Cable type K1	LiF9Y11Y	LiF9Y11Y	LiF9Y11Y

## PSS67/PDP67 Cable M12-M12 5p

<b>Mechanical data</b>	<b>380211</b>	<b>380212</b>	<b>380213</b>
Cable length L1	<b>30 m</b>	<b>3 m</b>	<b>5 m</b>
Colour of external cable insulation K1	<b>Yellow, similar to RAL1003</b>	<b>Yellow, similar to RAL1003</b>	<b>Yellow, similar to RAL1003</b>
Colour of housing	<b>black</b>	<b>black</b>	<b>black</b>
Cable insulation material K1	<b>PUR, TPU / TPE-U</b>	<b>PUR, TPU / TPE-U</b>	<b>PUR, TPU / TPE-U</b>
Drag chain suitable K1	<b>No</b>	<b>No</b>	<b>No</b>
Min. bending radius (fixed permanently) K1	<b>5 x Ø</b>	<b>5 x Ø</b>	<b>5 x Ø</b>
Min. bending radius (moving) K1	<b>10 x Ø</b>	<b>10 x Ø</b>	<b>10 x Ø</b>
Cable diameter K1	<b>5 mm</b>	<b>5 mm</b>	<b>5 mm</b>
Max. cable diameter K1	<b>5,1 mm</b>	<b>5,1 mm</b>	<b>5,1 mm</b>
Conductor cross section K1	<b>0,25 mm<sup>2</sup></b>	<b>0,25 mm<sup>2</sup></b>	<b>0,25 mm<sup>2</sup></b>
Conductor cross section AWG K1	<b>24</b>	<b>24</b>	<b>24</b>
Wire colour K1	<b>Brown, white, blue, black, grey</b>	<b>Brown, white, blue, black, grey</b>	<b>Brown, white, blue, black, grey</b>
Stranding K1	<b>5 cores around filler</b>	<b>5 cores around filler</b>	<b>5 cores around filler</b>
Shielding K1	<b>No</b>	<b>No</b>	<b>No</b>
Wire layer separation K1	<b>No</b>	<b>No</b>	<b>No</b>
No. of wires K1	<b>5</b>	<b>5</b>	<b>5</b>
Approval cable K1	<b>UL AWM-Style 20233, UL/CSA</b>	<b>UL AWM-Style 20233, UL/CSA</b>	<b>UL AWM-Style 20233, UL/CSA</b>
Approval of plug-in connector X1	<b>UL 94 HB</b>	<b>UL 94 HB</b>	<b>UL 94 HB</b>
Approval of plug-in connector X2	<b>UL 94 HB</b>	<b>UL 94 HB</b>	<b>UL 94 HB</b>
Halogen-free	<b>yes</b>	<b>yes</b>	<b>yes</b>
Silicone-free	<b>yes</b>	<b>yes</b>	<b>yes</b>
Oil resistance	<b>Resistant</b>	<b>Resistant</b>	<b>Resistant</b>
Non-flammability	<b>UL VW1</b>	<b>UL VW1</b>	<b>UL VW1</b>
Material			
Housing	<b>PUR</b>	<b>PUR</b>	<b>PUR</b>
Weight	<b>1.075 g</b>	<b>133 g</b>	<b>197 g</b>

## PSS67/PDP67 Cable M12-M12 5p

## Technical details Order no. 380214 - 380220

General	380214	380215	380220
Approvals	cULus Listed	cULus Listed	cULus Listed
Electrical data	380214	380215	380220
Rated voltage			
Voltage UB	60 V	60 V	60 V
Rated current	4 A	4 A	4 A
Test voltage	3.000 V	3.000 V	3.000 V
Typ. conductor resistance K1	79 Ohm/km	79 Ohm/km	79 Ohm/km
Insulation resistance	100 MOhm	100 MOhm	100 MOhm
Volume resistance	3 mOhm	3 mOhm	3 mOhm
Specific volume resistance K1	$\geq 7E+15$ Ohm*cm	$\geq 7E+15$ Ohm*cm	$\geq 7E+15$ Ohm*cm
Specific cable capacitance K1	64,6pF/m	64,6pF/m	64,6pF/m
Environmental data	380214	380215	380220
Ambient temperature			
Temperature range	-25 - 80 °C	-25 - 80 °C	-25 - 80 °C
Airgap creepage			
Pollution degree	3	3	3
Protection type			
X1 when inserted	IP68	IP68	IP68
X2 when inserted	IP68	IP68	IP68
Housing	IP68	IP68	IP68
Mechanical data	380214	380215	380220
Plug-in connector X1	M12, 5-pin female connector	M12, 5-pin female connector	M12, 5-pin female connector
In accordance with the standard	EN 61076-2-101	EN 61076-2-101	EN 61076-2-101
Form, plug-in connector X1	Angled	Angled	Straight
Plug-in connector X2	M12, 5-pin male connector	M12, 5-pin male connector	M12, 5-pin male connector
In accordance with the standard	EN 61076-2-101	EN 61076-2-101	EN 61076-2-101
Form, plug-in connector X2	Angled	Angled	Straight
Material of ring nut X1	CuZn nickel-plated	CuZn nickel-plated	CuZn nickel-plated
Material of ring nut X2	CuZn nickel-plated	CuZn nickel-plated	CuZn nickel-plated
Housing material X1	PUR	PUR	PUR
Housing material X2	PUR	PUR	PUR

## PSS67/PDP67 Cable M12-M12 5p

<b>Mechanical data</b>	<b>380214</b>	<b>380215</b>	<b>380220</b>
Material of contact surface X1	<b>Au</b>	<b>Au</b>	<b>Au</b>
Material of contact surface X2	<b>Au</b>	<b>Au</b>	<b>Au</b>
Material of pin	<b>CuZn</b>	<b>CuZn</b>	<b>CuZn</b>
Material of socket	<b>CuSn</b>	<b>CuSn</b>	<b>CuSn</b>
Conductor material K1	<b>Cu</b>	<b>Cu</b>	<b>Cu</b>
Insulating cover for conductor K1	<b>PP (9Y)</b>	<b>PP (9Y)</b>	<b>PP (9Y)</b>
Mating cycles X1	<b>100</b>	<b>100</b>	<b>100</b>
Mating cycles X2	<b>100</b>	<b>100</b>	<b>100</b>
Cable type K1	<b>LiF9Y11Y</b>	<b>LiF9Y11Y</b>	<b>LiF9Y11Y</b>
Cable length L1	<b>10 m</b>	<b>30 m</b>	<b>20 m</b>
Colour of external cable insulation K1	<b>Yellow, similar to RAL1003</b>	<b>Yellow, similar to RAL1003</b>	<b>Yellow, similar to RAL1003</b>
Colour of housing	<b>black</b>	<b>black</b>	<b>black</b>
Cable insulation material K1	<b>PUR, TPU / TPE-U</b>	<b>PUR, TPU / TPE-U</b>	<b>PUR, TPU / TPE-U</b>
Drag chain suitable K1	<b>No</b>	<b>No</b>	<b>No</b>
Min. bending radius (fixed permanently) K1	<b>5 x Ø</b>	<b>5 x Ø</b>	<b>5 x Ø</b>
Min. bending radius (moving) K1	<b>10 x Ø</b>	<b>10 x Ø</b>	<b>10 x Ø</b>
Cable diameter K1	<b>5 mm</b>	<b>5 mm</b>	<b>5 mm</b>
Max. cable diameter K1	<b>5,1 mm</b>	<b>5,1 mm</b>	<b>5,1 mm</b>
Conductor cross section K1	<b>0,25 mm<sup>2</sup></b>	<b>0,25 mm<sup>2</sup></b>	<b>0,25 mm<sup>2</sup></b>
Conductor cross section AWG K1	<b>24</b>	<b>24</b>	<b>24</b>
Wire colour K1	<b>Brown, white, blue, black, grey</b>	<b>Brown, white, blue, black, grey</b>	<b>Brown, white, blue, black, grey</b>
Stranding K1	<b>5 cores around filler</b>	<b>5 cores around filler</b>	<b>5 cores around filler</b>
Shielding K1	<b>No</b>	<b>No</b>	<b>No</b>
Wire layer separation K1	<b>No</b>	<b>No</b>	<b>No</b>
No. of wires K1	<b>5</b>	<b>5</b>	<b>5</b>
Approval cable K1	<b>UL AWM-Style 20233, UL/CSA</b>	<b>UL AWM-Style 20233, UL/CSA</b>	<b>UL AWM-Style 20233, UL/CSA</b>
Approval of plug-in connector X1	<b>UL 94 HB</b>	<b>UL 94 HB</b>	<b>UL 94 HB</b>
Approval of plug-in connector X2	<b>UL 94 HB</b>	<b>UL 94 HB</b>	<b>UL 94 HB</b>
Halogen-free	<b>yes</b>	<b>yes</b>	<b>yes</b>
Silicone-free	<b>yes</b>	<b>yes</b>	<b>yes</b>

## PSS67/PDP67 Cable M12-M12 5p

Mechanical data	380214	380215	380220
Oil resistance	Resistant	Resistant	Resistant
Non-flammability	UL VW1	UL VW1	UL VW1
Material			
Housing	PUR	PUR	PUR
Weight	366 g	987 g	719 g

### Technical details Order no. 380710 - 380712

General	380710	380711	380712
Approvals	cULus Listed	cULus Listed	cULus Listed
Electrical data	380710	380711	380712
Rated voltage			
Voltage UB	60 V	60 V	60 V
Rated current	4 A	4 A	4 A
Test voltage	3.000 V	3.000 V	3.000 V
Typ. conductor resistance K1	79 Ohm/km	79 Ohm/km	79 Ohm/km
Insulation resistance	100 MOhm	100 MOhm	100 MOhm
Volume resistance	3 mOhm	3 mOhm	3 mOhm
Specific volume resistance K1	$\geq 7E+15$ Ohm*cm	$\geq 7E+15$ Ohm*cm	$\geq 7E+15$ Ohm*cm
Specific cable capacitance K1	64,6pF/m	64,6pF/m	64,6pF/m
Environmental data	380710	380711	380712
Ambient temperature			
Temperature range	-25 - 80 °C	-25 - 80 °C	-25 - 80 °C
Airgap creepage			
Pollution degree	3	3	3
Protection type			
X1 when inserted	IP68	IP68	IP68
X2 when inserted	IP68	IP68	IP68
Housing	IP68	IP68	IP68
Mechanical data	380710	380711	380712
Plug-in connector X1	M12, 5-pin female connector	M12, 5-pin female connector	M12, 5-pin female connector
In accordance with the standard	EN 61076-2-101	EN 61076-2-101	EN 61076-2-101
Form, plug-in connector X1	Straight	Straight	Straight
Plug-in connector X2	M12, 5-pin male connector	M12, 5-pin male connector	M12, 5-pin male connector

## PSS67/PDP67 Cable M12-M12 5p

Mechanical data	380710	380711	380712
In accordance with the standard	EN 61076-2-101	EN 61076-2-101	EN 61076-2-101
Form, plug-in connector X2	Straight	Straight	Straight
Material of ring nut X1	CuZn nickel-plated	CuZn nickel-plated	CuZn nickel-plated
Material of ring nut X2	CuZn nickel-plated	CuZn nickel-plated	CuZn nickel-plated
Housing material X1	PUR	PUR	PUR
Housing material X2	PUR	PUR	PUR
Material of contact surface X1	Au	Au	Au
Material of contact surface X2	Au	Au	Au
Material of pin	CuZn	CuZn	CuZn
Material of socket	CuSn	CuSn	CuSn
Conductor material K1	Cu	Cu	Cu
Insulating cover for conductor K1	PP (9Y)	PP (9Y)	PP (9Y)
Mating cycles X1	100	100	100
Mating cycles X2	100	100	100
Cable type K1	LiF9Y11Y	LiF9Y11Y	LiF9Y11Y
Cable length L1	0,5 m	1 m	1,5 m
Colour of external cable insulation K1	Yellow, similar to RAL1003	Yellow, similar to RAL1003	Yellow, similar to RAL1003
Colour of housing	black	black	black
Cable insulation material K1	PUR, TPU / TPE-U	PUR, TPU / TPE-U	PUR, TPU / TPE-U
Drag chain suitable K1	No	No	No
Min. bending radius (fixed permanently) K1	5 x Ø	5 x Ø	5 x Ø
Min. bending radius (moving) K1	10 x Ø	10 x Ø	10 x Ø
Cable diameter K1	5 mm	5 mm	5 mm
Max. cable diameter K1	5,1 mm	5,1 mm	5,1 mm
Conductor cross section K1	0,25 mm <sup>2</sup>	0,25 mm <sup>2</sup>	0,25 mm <sup>2</sup>
Conductor cross section AWG K1	24	24	24
Wire colour K1	Brown, white, blue, black, grey	Brown, white, blue, black, grey	Brown, white, blue, black, grey
Stranding K1	5 cores around filler	5 cores around filler	5 cores around filler
Shielding K1	No	No	No
Wire layer separation K1	No	No	No
No. of wires K1	5	5	5

## PSS67/PDP67 Cable M12-M12 5p

Mechanical data	380710	380711	380712
Approval cable K1	UL AWM-Style 20233, UL/CSA	UL AWM-Style 20233, UL/CSA	UL AWM-Style 20233, UL/CSA
Approval of plug-in connector X1	UL 94 HB	UL 94 HB	UL 94 HB
Approval of plug-in connector X2	UL 94 HB	UL 94 HB	UL 94 HB
Halogen-free	yes	yes	yes
Silicone-free	yes	yes	yes
Oil resistance	Resistant	Resistant	Resistant
Non-flammability	UL VW1	UL VW1	UL VW1
Material			
Housing	PUR	PUR	PUR
Weight	37 g	53 g	70 g

### Technical details Order no. 380713

General	
Approvals	cULus Listed
Electrical data	
Rated voltage	
Voltage UB	60 V
Rated current	4 A
Test voltage	3.000 V
Typ. conductor resistance K1	79 Ohm/km
Insulation resistance	100 MOhm
Volume resistance	3 mOhm
Specific volume resistance K1	$\geq 7E+15$ Ohm*cm
Specific cable capacitance K1	64,6pF/m
Environmental data	
Ambient temperature	
Temperature range	-25 - 80 °C
Airgap creepage	
Pollution degree	3
Protection type	
X1 when inserted	IP68
X2 when inserted	IP68
Housing	IP68
Mechanical data	
Plug-in connector X1	M12, 5-pin female connector
In accordance with the standard	EN 61076-2-101

## PSS67/PDP67 Cable M12-M12 5p

<b>Mechanical data</b>	
Form, plug-in connector X1	<b>Straight</b>
Plug-in connector X2	<b>M12, 5-pin male connector</b>
In accordance with the standard	<b>EN 61076-2-101</b>
Form, plug-in connector X2	<b>Straight</b>
Material of ring nut X1	<b>CuZn nickel-plated</b>
Material of ring nut X2	<b>CuZn nickel-plated</b>
Housing material X1	<b>PUR</b>
Housing material X2	<b>PUR</b>
Material of contact surface X1	<b>Au</b>
Material of contact surface X2	<b>Au</b>
Material of pin	<b>CuZn</b>
Material of socket	<b>CuSn</b>
Conductor material K1	<b>Cu</b>
Insulating cover for conductor K1	<b>PP (9Y)</b>
Mating cycles X1	<b>100</b>
Mating cycles X2	<b>100</b>
Cable type K1	<b>LiF9Y11Y</b>
Cable length L1	<b>2 m</b>
Colour of external cable insulation K1	<b>Yellow, similar to RAL1003</b>
Colour of housing	<b>black</b>
Cable insulation material K1	<b>PUR, TPU / TPE-U</b>
Drag chain suitable K1	<b>No</b>
Min. bending radius (fixed permanently) K1	<b>5 x Ø</b>
Min. bending radius (moving) K1	<b>10 x Ø</b>
Cable diameter K1	<b>5 mm</b>
Max. cable diameter K1	<b>5,1 mm</b>
Conductor cross section K1	<b>0,25 mm<sup>2</sup></b>
Conductor cross section AWG K1	<b>24</b>
Wire colour K1	<b>Brown, white, blue, black, grey</b>
Stranding K1	<b>5 cores around filler</b>
Shielding K1	<b>No</b>
Wire layer separation K1	<b>No</b>
No. of wires K1	<b>5</b>
Approval cable K1	<b>UL AWM-Style 20233, UL/CSA</b>
Approval of plug-in connector X1	<b>UL 94 HB</b>
Approval of plug-in connector X2	<b>UL 94 HB</b>
Halogen-free	<b>yes</b>
Silicone-free	<b>yes</b>
Oil resistance	<b>Resistant</b>
Non-flammability	<b>UL VW1</b>

## PSS67/PDP67 Cable M12-M12 5p

Mechanical data	
Material	
Housing	PUR
Weight	86 g

### Order reference

Product type	Features	Connector X1	Connector X2	Connector X3	Order no.
PSS67 Cable M12sf M12sm, 3m	3 m	M12, 5-pin female connector, straight	M12, 5-pin male connector, straight		380 208
PSS67 Cable M12sf M12sm, 5m	5 m	M12, 5-pin female connector, straight	M12, 5-pin male connector, straight		380 209
PSS67 Cable M12sf M12sm, 10m	10 m	M12, 5-pin female connector, straight	M12, 5-pin male connector, straight		380 210
PSS67 Cable M12sf M12sm, 30m	30 m	M12, 5-pin female connector, straight	M12, 5-pin male connector, straight		380 211
PSS67 Cable M12af M12am, 3m	3 m	M12, 5-pin female connector, angled	M12, 5-pin male connector, angled		380 212
PSS67 Cable M12af M12am, 5m	5 m	M12, 5-pin female connector, angled	M12, 5-pin male connector, angled		380 213
PSS67 Cable M12af M12am, 10m	10 m	M12, 5-pin female connector, angled	M12, 5-pin male connector, angled		380 214
PSS67 Cable M12af M12am, 30m	30 m	M12, 5-pin female connector, angled	M12, 5-pin male connector, angled		380 215
PSS67 cable M12-5sf, M12-5sm, 20m	20 m	M12, 5-pin female connector, straight	M12, 5-pin male connector, straight		380 220
PDP67 Cable M12-5sf M12-5sm, 0.5m	0.5 m	M12, 5-pin female connector, straight	M12, 5-pin male connector, straight		380 710
PDP67 Cable M12-5sf M12-5sm, 1m	1 m	M12, 5-pin female connector, straight	M12, 5-pin male connector, straight		380 711
PDP67 Cable M12-5sf M12-5sm, 1.5m	1.5 m	M12, 5-pin female connector, straight	M12, 5-pin male connector, straight		380 712

## PSS67/PDP67 Cable M12-M12 5p

Product type	Features	Connector X1	Connector X2	Connector X3	Order no.
PDP67 Cable M12-5sf M12-5sm, 2m	2 m	M12, 5-pin fe- male con- nector, straight	M12, 5-pin male con- nector, straight		380 713